

Product Image



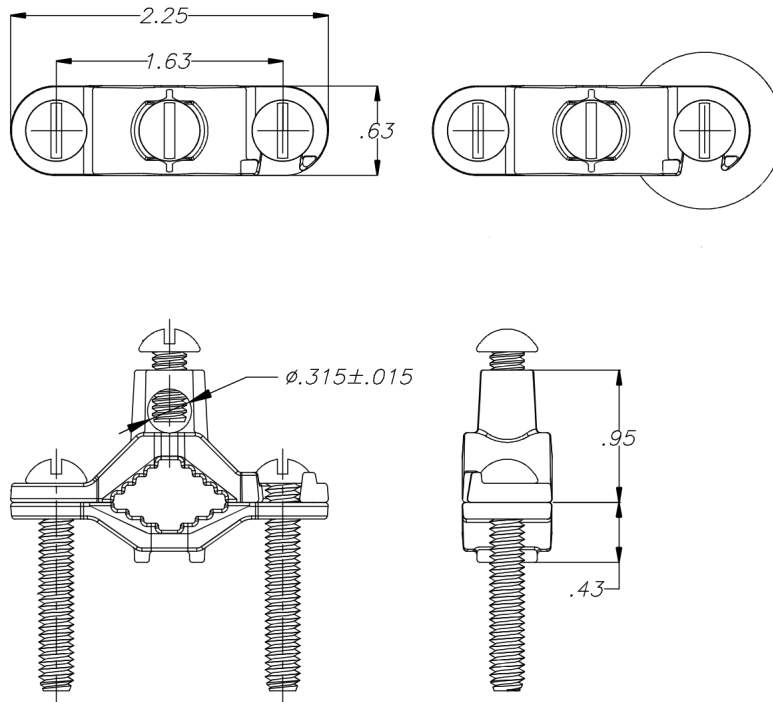
Bare Ground Clamps

Bare ground clamps are used to connect bare copper wire to rebar, ground rod, steel water pipe and copper water tubing for grounding. They are manufactured from highly conductive copper alloy. Select modes are suitable for direct burial.

Features:

- UL listed
- Suitable for direct burial in earth and concrete
- Approved for rebar 4-8

Performance Data



PN#	Pipe Range	Wire Range	Rebar Range	Copper Rod Range	Screw Material
DB25	1/2" - 1"	#10 - #2	1/2" - 1"	1/2" - 1"	Bronze